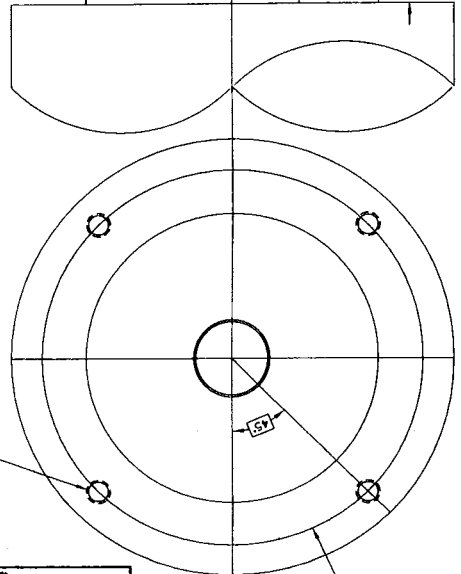
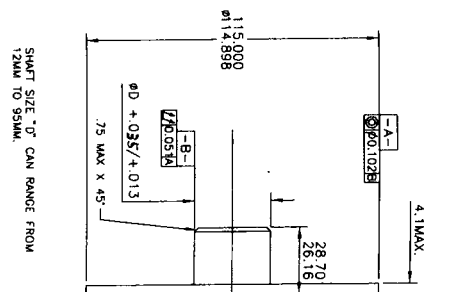
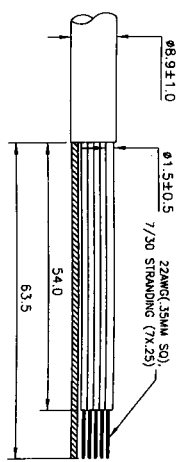
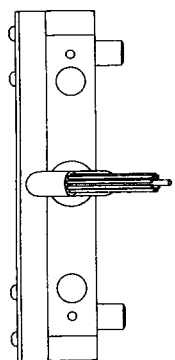


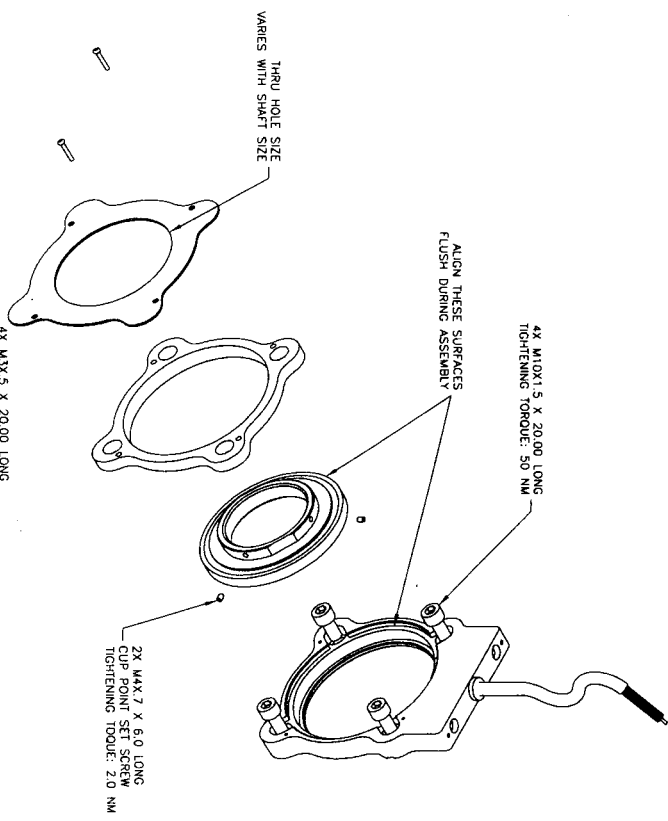
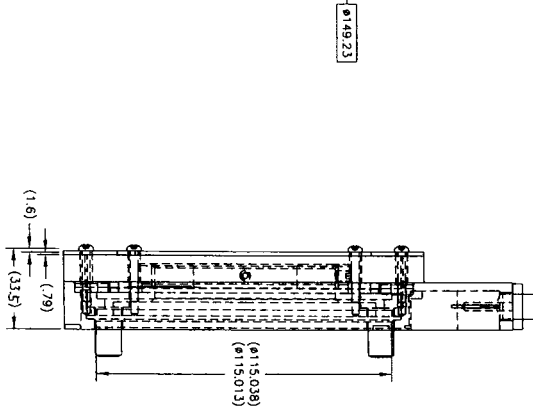
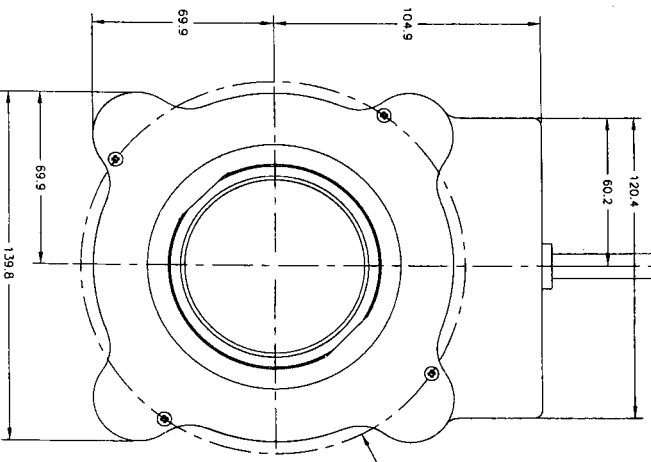
型式略称 AP-95: 1024ppr/ターナー軸径φ95mm  
BP-95: 512ppr/ターナー軸径φ95mm



WIRING LEGEND

SIGNAL	VCC	COM	A	A	B	B	*Z	*Z	SHLD
WIRE	RED	BLACK	BLUE	BROWN	GREEN	YELLOW	VIOLET	ORANGE	CLR/WHT

NOTE: \* OPTIONAL INDEX OUTPUT



- NOTES
1. INTERNAL FINISH: Ra=3.2 MM/K.
  2. COVER: BLACK
  3. COVER MATERIAL: ALUMINUM 6061T6 OR 5052; COLOR: BLACK
  4. NORTHSTAR TECHNOLOGIES, INC. RESERVES THE RIGHT TO CHANGE OR MODIFY WITHOUT PRIOR NOTICE.

**northstar**  
575 INDEPENDENCE BLVD., WESTERVILLE, OHIO 43082

MSL-115 CUSTOMER DRAWING  
PIG TAIL, SET SCREW WHL  
FLAT COVER WITH HOLE

REV. 1  
ECO. NO. S75  
BY: S75  
DATE: 12/02/99  
RELEASE TO ENGINEERING CONTROL

DESCRIPTION: PIG TAIL, SET SCREW WHL, FLAT COVER WITH HOLE

PART NUMBER: 795-4023-00

DATE: 795-4023-00