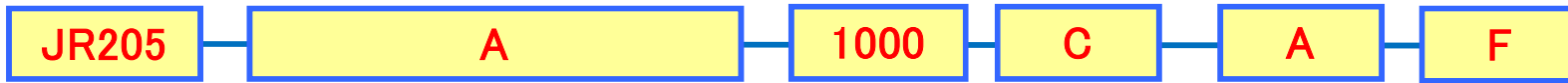




# Magnetic Rotary Encoder Part Number Table



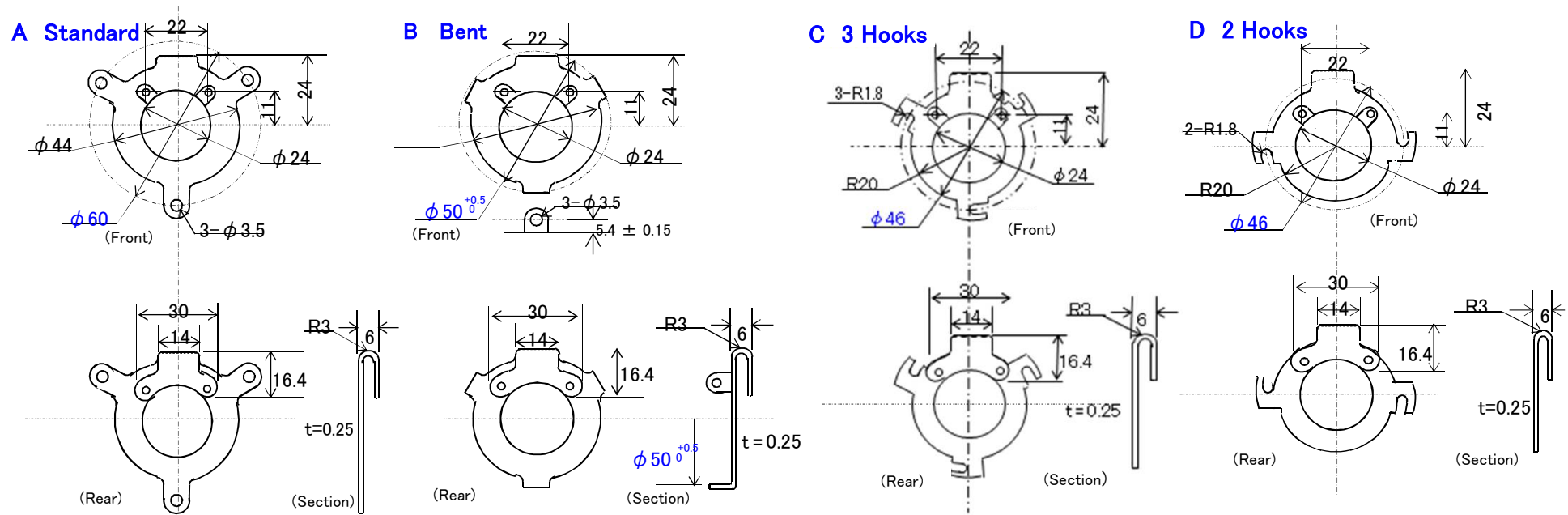
Series	Output Type			Resolution Pulse/Revolution	Hollow Shaft Bore Diameter	Bracket Refer to page 2.	Frame GND or not	Operation Temperature Range
	Type	Output	Supply Volt.					
<b>JR205</b> Incremental AB + Index Z  <b>JR105</b> Incremental AB only Same AB signals with JR205 but no Z signal	<b>A</b> :	Open Collector Positive Logic	5 ~ 12V	300 ppr	<b>C</b> : $\phi$ 8.00mm <b>S</b> : $\phi$ 6.35mm  Ordinary shaft, $6.0 \leq \Phi \leq 8.0$ mm, is available on special request.	<b>A</b> : Standard <b>B</b> : Bent type of A <b>C</b> : 3 Hook type <b>D</b> : 2 Hook type <b>J</b> : Spacer type Refer to page 2.	<b>F</b> : GND <b>N</b> : no GND	<b>Standard of the Series.</b> -20°C ~ +90°C Dew deposit is not permitted.  <b>D Line Driver</b> -30°C~+90°C Dew deposit is not permitted.
	<b>-24A</b> :	Open Collector Positive Logic	24V	360 ppr				
	<b>C</b> :	Voltage Output Positive Logic	5 ~ 12V	500 ppr				
	<b>-24C</b> :	Voltage Output Positive Logic	24V	1000 ppr				
	<b>D</b> :	Line Driver	5V	1024 ppr				
<b>JR215</b> Incremental AB + Index Z  High Temperature Resistant	<b>A</b> :	Open Collector Positive Logic	5 ~ 12V	300 ppr	<b>C</b> : $\phi$ 8.00mm <b>S</b> : $\phi$ 6.35mm  Ordinary shaft, $6.0 \leq \Phi \leq 8.0$ mm, is available on special request.	<b>A</b> : Standard <b>B</b> : Bent type of A <b>C</b> : 3 Hook type <b>D</b> : 2 Hook type <b>J</b> : Spacer type Refer to page 2.	<b>F</b> : GND <b>N</b> : no GND	<b>High temperature resistant</b> -20°C ~ +115°C  Dew deposit is not permitted.
	<b>-24A</b> :	Open Collector Positive Logic	24V	360 ppr				
	<b>C</b> :	Voltage Output Positive Logic	5 ~ 12V	500 ppr				
	<b>-24C</b> :	Voltage Output Positive Logic	24V	1000 ppr				
	<b>B</b> :	Negative logic Z signal is available as an option for A and C.						
<b>JR305</b> Incremental AB + Index Z  High Humidity Resistant	<b>A</b> :	Open Collector Positive Logic	5 ~ 12V	300 ppr	<b>C</b> : $\phi$ 8.00mm <b>S</b> : $\phi$ 6.35mm  Ordinary shaft, $6.0 \leq \Phi \leq 8.0$ mm, is available on special request.	<b>A</b> : Standard <b>B</b> : Bent type of A <b>C</b> : 3 Hook type <b>D</b> : 2 Hook type <b>J</b> : Spacer type Refer to page 2.	<b>F</b> : GND <b>N</b> : no GND	<b>High humidity resistant</b> -30°C ~ +90°C  Dew deposit could damage the circuit.
	<b>-24A</b> :	Open Collector Positive Logic	24V	360 ppr				
	<b>C</b> :	Voltage Output Positive Logic	5 ~ 12V	500 ppr				
	<b>-24C</b> :	Voltage Output Positive Logic	24V	1000 ppr				
	<b>D</b> :	Line Driver	5V	1024 ppr				
<b>JR55</b> Incremental AB RoHS compliant ones are not available.	<b>-24A</b> :	Open Collector	5 ~ 24V	300 ppr	<b>C</b> : $\phi$ 8.00mm <b>S</b> : $\phi$ 6.35mm	<b>A</b> : Standard <b>B</b> : Bent type of A <b>C</b> : 3 Hook type <b>D</b> : 2 Hook type	<b>F</b> : GND <b>N</b> : no GND	Temporarily discontinued -10°C ~ +80°C Dew deposit is not permitted.  Non-RoHS 500ppr is available.
	<b>C</b> :	Open Collector	5V	360 ppr				
	<b>-12C</b> :	Voltage Output	5 ~ 12V	500 ppr				
	<b>-24C</b> :	Voltage Output	24V	600 ppr				
	<b>D</b> :	Line Driver	5V					

Made by Taiho Products Co., Ltd. E-Mail: [m.ogawa-taiho.astec@parkcity.ne.jp](mailto:m.ogawa-taiho.astec@parkcity.ne.jp) Tel.: 090-5207-9979 Fax.: 0422-56-1330

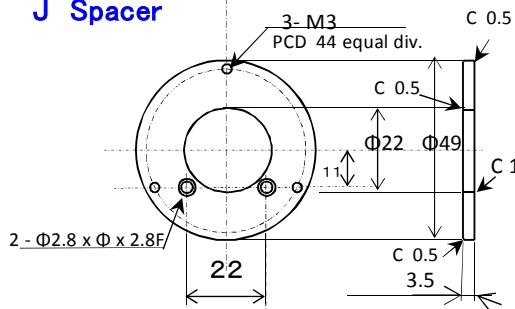
Sold by Astec Co., Ltd. E-Mail: [m.ogawa-taiho.astec@parkcity.ne.jp](mailto:m.ogawa-taiho.astec@parkcity.ne.jp)

Contact: Tokyo Sales Office :  
 Mail: [m.ogawa-taiho.astec@parkcity.ne.jp](mailto:m.ogawa-taiho.astec@parkcity.ne.jp)

## Bracket



## J Spacer



- \* Magnetic rotary encoder stands against severe environment, like high temperature, high humidity, vibration, mechanical shock, oil, oil mist, paper-fiber dusts, etc.
- \* In a case,  $\phi 52 \times 31\text{mm}$ , a rotor can have max. 2048 magnetic poles and signals are output without any interpolation. Therefore, JR Series encoder can output signals with the highest class accuracy as a magnetic encoder.
- \* A hollowshaft for easy mounting without a coupling. Ordinary shaft,  $6.0 \leq \phi \leq 8.0\text{mm}$  can be made on request.
- \* Modified specification from JR205 can be made when repeated order is expected.

### \* Examples of Application:

Various kinds of metal processing machines, Textile machine, Corrugated box machine, Food processing machine, Stage lighting system, Car transmission, Fishing boat, Elevator, Robots, etc.

Most of the case, encoder is attached onto a shaft of servomotor used for the above stated example applications.

